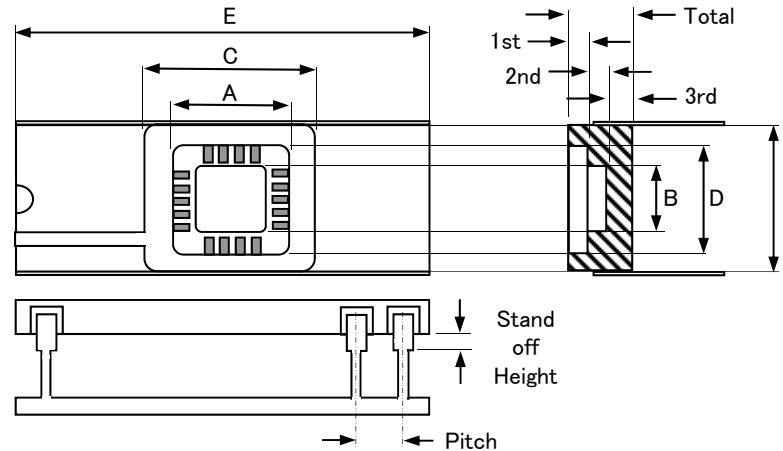
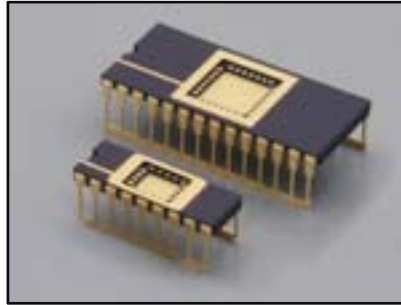


Inquiries about
the product

NTK C-DIP (Ceramic – Dual Inline Packages)



UNIT: inch

| LEAD COUNT | CAVITY | | | | | | OVERALL | | | LAYER THICKNESS | | | | LEAD | | NTK MATERIAL CODE B:Black W:White | CONNECTION (0:NON-Connect) | | DRAWING NO. | |
|------------|----------|---|-------|----------|---|-------|---------|-------|---|------------------|-------|-------|-------|-------|-------|---|-------------------------------|-----------|-------------|---------------|
| | DIE CAV. | | | TOP CAV. | | | | | | UP(U) DOWN(D) | 1st | 2nd | 3rd | TOTAL | PITCH | | STAND OFF HEIGHT | SEAL RING | | DIE ATTACH |
| | A | X | B | C | X | D | E | X | F | | | | | | | | | | | |
| 8 | 0.200 | x | 0.170 | 0.280 | x | 0.220 | U | 0.390 | x | 0.290 | 0.020 | 0.025 | 0.040 | 0.085 | 0.100 | 0.035 | B | 0 | 0 | ID - 6891-MO |
| 8 | 0.200 | x | 0.170 | 0.280 | x | 0.220 | U | 0.390 | x | 0.290 | 0.020 | 0.025 | 0.040 | 0.085 | 0.100 | 0.040 | B | 0 | 0 | ID - 6926A-MO |
| 8 | 0.218 | x | 0.180 | 0.295 | x | 0.225 | U | 0.380 | x | 0.290 | 0.040 | 0.040 | 0.068 | 0.148 | 0.100 | 0.040 | B | 0 | - | ID - 6656C-MO |
| 8 | 0.218 | x | 0.180 | 0.310 | x | 0.180 | U | 0.390 | x | 0.295 | 0.052 | 0.040 | | 0.092 | 0.100 | 0.039 | B | 0 | SEE DRAWING | ID - 6538F-MO |
| 8 | 0.218 | x | 0.180 | 0.320 | x | 0.225 | U | 0.390 | x | 0.295 | 0.025 | 0.030 | 0.025 | 0.080 | 0.100 | 0.040 | B | 0 | 0 | ID - 6074L |
| 8 | 0.218 | x | 0.180 | 0.320 | x | 0.235 | U | 0.390 | x | 0.295 | 0.025 | 0.030 | 0.025 | 0.080 | 0.100 | 0.040 | B | 0 | 0 | ID - 6242B |
| 8 | 0.266 | x | 0.177 | 0.375 | x | 0.219 | U | 0.520 | x | 0.290 | 0.025 | 0.025 | 0.040 | 0.090 | 0.100 | 0.035 | B | 0 | No.1,5 | ID - 6911-MO |
| 8 | 0.305 | x | 0.095 | 0.400 | x | 0.200 | U | 0.520 | x | 0.288 | 0.020 | 0.020 | 0.040 | 0.080 | 0.100 | 0.035 | B | 0 | No.1,4,5,8 | ID - 6393A |
| 10 | 0.215 | x | 0.090 | 0.250 | x | 0.160 | U | 0.500 | x | 0.295 | 0.020 | 0.020 | 0.040 | 0.080 | 0.130 | 0.035 | B | No.10 | No.10 | ID - 7003C |
| 14 | 0.200 | x | 0.154 | 0.315 | x | 0.221 | U | 0.748 | x | 0.295 | 0.025 | 0.030 | 0.030 | 0.085 | 0.100 | 0.035 | B | 0 | 0 | ID - 6764A-MO |
| 14 | 0.220 | x | 0.150 | 0.315 | x | 0.221 | U | 0.748 | x | 0.295 | 0.015 | 0.030 | 0.035 | 0.080 | 0.100 | 0.035 | B | - | - | ID - 6144C |
| 14 | 0.220 | x | 0.174 | 0.315 | x | 0.225 | U | 0.748 | x | 0.295 | 0.020 | 0.025 | 0.035 | 0.080 | 0.100 | 0.035 | B | 0 | 0 | ID - 268N |



COMMUNICATION MEDIA COMPONENTS GROUP

NGK SPARK PLUG CO.,LTD.
2808,IWASAKI,KOMAKI,AICHI,485.JAPAN

Inquiries about
the product

UNIT: inch

| LEAD COUNT | CAVITY | | | | | | OVERALL | | | LAYER THICKNESS | | | | LEAD | | NTK MATERIAL CODE B:Black W:White | CONNECTION (0:NON-Connect) | | DRAWING NO. | |
|---------------|----------|---|-------|----------|---|-------|---------|-------|---|-----------------|-------|-------|-------|-------|------------------------|---|-------------------------------|---------------|------------------|---------------|
| | DIE CAV. | | | TOP CAV. | | | | | | 1st | 2nd | 3rd | TOTAL | PITCH | STAND OFF HEIGHT | | SEAL RING | DIE ATTACH | | |
| | A | X | B | C | X | D | E | X | F | | | | | | | | | | | |
| 14 | 0.244 | x | 0.174 | 0.340 | x | 0.225 | U | 0.800 | x | 0.297 | 0.020 | 0.025 | 0.040 | 0.085 | 0.100 | 0.035 | B | 0 | SEE DRAWING | ID - 378A |
| 14 | 0.260 | x | 0.174 | 0.320 | x | 0.221 | U | 0.700 | x | 0.295 | 0.020 | 0.025 | 0.040 | 0.085 | 0.100 | 0.035 | B | 0 | 0 | ID - 6923A-MO |
| 14 | 0.260 | x | 0.174 | 0.320 | x | 0.221 | U | 0.681 | x | 0.295 | 0.025 | 0.030 | 0.030 | 0.085 | 0.100 | 0.035 | B | 0 | - | ID - 6559A |
| 14 | 0.260 | x | 0.174 | 0.320 | x | 0.221 | U | 0.700 | x | 0.295 | 0.020 | 0.025 | 0.040 | 0.085 | 0.100 | 0.035 | B | 0 | 0 | ID - 134T |
| 14 | 0.550 | x | 0.175 | 0.575 | x | 0.222 | U | 0.770 | x | 0.295 | 0.025 | 0.040 | 0.020 | 0.085 | 0.100 | 0.035 | B | 0 | - | ID - 6273BA |
| 14 | 0.550 | x | 0.175 | 0.575 | x | 0.222 | U | 0.770 | x | 0.295 | 0.025 | 0.040 | 0.020 | 0.085 | 0.100 | 0.035 | B | 0 | No.1 | ID - 6273C |
| 14 | 0.550 | x | 0.175 | 0.575 | x | 0.222 | U | 0.770 | x | 0.295 | 0.035 | 0.025 | 0.040 | 0.100 | 0.100 | 0.035 | B | 0 | 0 | ID - 6670-MO |
| 14 | 0.551 | x | 0.150 | 0.592 | x | 0.212 | U | 0.748 | x | 0.290 | 0.025 | 0.020 | 0.040 | 0.085 | 0.100 | 0.035 | B | 0 | No.1,4,7,8,11,14 | ID - 6154D |
| 16 | 0.180 | x | 0.130 | 0.340 | x | 0.225 | U | 0.800 | x | 0.297 | 0.020 | 0.025 | 0.040 | 0.085 | 0.100 | 0.035 | B | 0 | 0 | ID - 509CA-MO |
| 16 | 0.180 | x | 0.147 | 0.300 | x | 0.223 | U | 0.800 | x | 0.295 | 0.020 | 0.025 | 0.040 | 0.085 | 0.100 | 0.035 | B | 0 | 0 | ID - 140-MO |
| 16 | 0.220 | x | 0.165 | 0.340 | x | 0.226 | U | 0.800 | x | 0.295 | 0.020 | 0.020 | 0.040 | 0.080 | 0.100 | 0.035 | B | 0 | 0 | ID - 6139AAL |
| 16 | 0.240 | x | 0.162 | 0.335 | x | 0.229 | U | 0.800 | x | 0.295 | 0.020 | 0.025 | 0.040 | 0.085 | 0.100 | 0.035 | B | 0 | - | ID - 6763A-MO |
| 16 | 0.240 | x | 0.174 | 0.335 | x | 0.221 | U | 0.800 | x | 0.295 | 0.025 | 0.020 | 0.040 | 0.085 | 0.100 | 0.043 | B | 0 | 0 | ID - 594H |
| 16 | 0.244 | x | 0.174 | 0.340 | x | 0.225 | U | 0.800 | x | 0.298 | 0.020 | 0.020 | 0.040 | 0.080 | 0.100 | 0.043 | B | 0 | 0 | ID - 6319EAL |
| 16 | 0.244 | x | 0.174 | 0.340 | x | 0.225 | U | 0.800 | x | 0.297 | 0.020 | 0.025 | 0.040 | 0.085 | 0.100 | 0.035 | B | 0 | 0 | ID - 115PAL |
| 16 | 0.265 | x | 0.174 | 0.335 | x | 0.225 | U | 0.800 | x | 0.295 | 0.025 | 0.020 | 0.040 | 0.085 | 0.100 | 0.035 | B | 0 | No.1 | ID - 572BAL |
| 16 | 0.320 | x | 0.174 | 0.375 | x | 0.220 | U | 0.800 | x | 0.295 | 0.020 | 0.025 | 0.040 | 0.085 | 0.100 | 0.035 | B | 0 | 0 | ID - 201-MO |
| 16 | 0.320 | x | 0.174 | 0.380 | x | 0.225 | U | 0.800 | x | 0.297 | 0.020 | 0.025 | 0.040 | 0.085 | 0.100 | 0.035 | B | 0 | 0 | ID - 283LAL |
| 16 | 0.330 | x | 0.195 | 0.375 | x | 0.235 | U | 0.800 | x | 0.295 | 0.025 | 0.020 | 0.040 | 0.085 | 0.100 | 0.043 | B | 0 | 0 | ID - 6732A |
| 16 | 0.330 | x | 0.195 | 0.375 | x | 0.235 | U | 0.800 | x | 0.295 | 0.025 | 0.020 | 0.040 | 0.085 | 0.100 | 0.043 | B | 0 | No.1-8 | ID - 6732B |
| 16 | 0.350 | x | 0.180 | 0.405 | x | 0.220 | U | 0.800 | x | 0.295 | 0.025 | 0.020 | 0.040 | 0.085 | 0.100 | 0.035 | B | 0 | 0 | ID - 390GAL |
| 16 | 0.350 | x | 0.180 | 0.405 | x | 0.220 | U | 0.800 | x | 0.295 | 0.020 | 0.035 | 0.040 | 0.095 | 0.100 | 0.035 | B | 0 | 0 | ID - 6914BAL |
| 16 | 0.400 | x | 0.175 | 0.460 | x | 0.225 | U | 0.800 | x | 0.295 | 0.020 | 0.025 | 0.040 | 0.085 | 0.100 | 0.035 | B | 0 | 0 | ID - 6878AAL |
| 16 | 0.400 | x | 0.221 | 0.510 | x | 0.221 | U | 0.800 | x | 0.295 | 0.020 | 0.025 | 0.040 | 0.085 | 0.100 | 0.035 | B | 0 | 0 | ID - 494CAL |



COMMUNICATION MEDIA COMPONENTS GROUP

NGK SPARK PLUG CO.,LTD.
2808,IWASAKI,KOMAKI,AICHI,485.JAPAN

Inquiries about
the product

UNIT: inch

| LEAD COUNT | CAVITY | | | | | | OVERALL | | | LAYER THICKNESS | | | | LEAD | | NTK MATERIAL CODE B:Black W:White | CONNECTION (0:NON-Connect) | | DRAWING NO. | |
|---------------|----------|---|-------|----------|---|-------|---------|-------|---|------------------|-------|-------|-------|-------|-------|---|-------------------------------|--------------|-------------------------|---------------|
| | DIE CAV. | | | TOP CAV. | | | | | | UP(U) DOWN(D) | 1st | 2nd | 3rd | TOTAL | PITCH | | STAND OFF HEIGHT | SEAL RING | | |
| | A | X | B | C | X | D | E | X | F | | | | | | | | | | | |
| 16 | 0.480 | x | 0.220 | 0.480 | x | 0.220 | U | 0.800 | x | 0.295 | 0.050 | 0.023 | | 0.073 | 0.100 | 0.035 | B | 0 | No.2-7, No.10-15, A PAD | ID - 497CBL |
| 16 | 0.480 | x | 0.220 | 0.580 | x | 0.220 | U | 0.800 | x | 0.295 | 0.045 | 0.020 | 0.040 | 0.105 | 0.100 | 0.035 | B | 0 | "G" PAD | ID - 6157-MO |
| 18 | 0.210 | x | 0.130 | 0.315 | x | 0.225 | U | 0.900 | x | 0.295 | 0.020 | 0.015 | 0.045 | 0.080 | 0.100 | 0.035 | B | 0 | 0 | ID - 510AB |
| 18 | 0.220 | x | 0.174 | 0.315 | x | 0.226 | U | 0.900 | x | 0.295 | 0.020 | 0.025 | 0.040 | 0.085 | 0.100 | 0.035 | B | 0 | 0 | ID - 245GB |
| 18 | 0.220 | x | 0.174 | 0.335 | x | 0.225 | U | 0.900 | x | 0.295 | 0.020 | 0.025 | 0.040 | 0.085 | 0.100 | 0.035 | B | 0 | No.8 | ID - 6946A-MO |
| 18 | 0.220 | x | 0.174 | 0.335 | x | 0.225 | U | 0.900 | x | 0.295 | 0.020 | 0.025 | 0.040 | 0.085 | 0.100 | 0.035 | B | 0 | 0 | ID - 6592A |
| 18 | 0.235 | x | 0.174 | 0.335 | x | 0.225 | U | 0.900 | x | 0.295 | 0.020 | 0.025 | 0.040 | 0.085 | 0.100 | 0.035 | B | 0 | 0 | ID - 402B |
| 18 | 0.284 | x | 0.164 | 0.413 | x | 0.236 | U | 0.900 | x | 0.295 | 0.025 | 0.020 | 0.040 | 0.085 | 0.100 | 0.035 | B | 0 | 0 | ID - 6809-MO |
| 18 | 0.320 | x | 0.175 | 0.380 | x | 0.225 | U | 0.900 | x | 0.295 | 0.035 | 0.035 | 0.030 | 0.100 | 0.100 | 0.035 | B | 0 | 0 | ID - 6307D |
| 20 | 0.225 | x | 0.168 | 0.315 | x | 0.217 | U | 1.000 | x | 0.296 | 0.020 | 0.025 | 0.040 | 0.085 | 0.100 | 0.035 | B | 0 | 0 | ID - 251-MO |
| 20 | 0.250 | x | 0.158 | 0.330 | x | 0.220 | U | 1.000 | x | 0.295 | 0.015 | 0.030 | 0.035 | 0.080 | 0.100 | 0.035 | B | 0 | 0 | ID - 6755A |
| 20 | 0.260 | x | 0.175 | 0.335 | x | 0.228 | U | 1.000 | x | 0.295 | 0.025 | 0.020 | 0.040 | 0.085 | 0.100 | 0.035 | B | 0 | 0 | ID - 6268B |
| 20 | 0.260 | x | 0.174 | 0.375 | x | 0.228 | U | 1.000 | x | 0.295 | 0.020 | 0.025 | 0.040 | 0.085 | 0.100 | 0.035 | B | 0 | 0 | ID - 6499-MO |
| 20 | 0.350 | x | 0.250 | 0.720 | x | 0.315 | U | 1.000 | x | 0.394 | 0.020 | 0.025 | 0.040 | 0.085 | 0.100 | 0.035 | B | 0 | 0 | ID - 6752A |
| 20 | 0.355 | x | 0.217 | 0.445 | x | 0.225 | U | 1.000 | x | 0.295 | 0.020 | 0.025 | 0.040 | 0.085 | 0.100 | 0.035 | B | 0 | 0 | ID - 6007B |
| 20 | 0.400 | x | 0.206 | 0.495 | x | 0.206 | U | 1.000 | x | 0.295 | 0.020 | 0.020 | 0.040 | 0.080 | 0.100 | 0.035 | B | 0 | GND PAD | ID - 6521A |
| 20 | 0.426 | x | 0.180 | 0.492 | x | 0.226 | U | 1.000 | x | 0.295 | 0.020 | 0.025 | 0.040 | 0.085 | 0.100 | 0.035 | B | 0 | GND PAD | ID - 6089A-MO |
| 20 | 0.470 | x | 0.225 | 0.570 | x | 0.225 | U | 1.000 | x | 0.310 | 0.050 | 0.020 | 0.020 | 0.090 | 0.100 | 0.035 | B | 0 | 0 | ID - 6902A |
| 20 | 0.945 | x | 0.142 | 0.945 | x | 0.236 | U | 1.142 | x | 0.400 | 0.040 | 0.025 | 0.040 | 0.105 | 0.100 | 0.035 | B | - | GND | ID - 7082-MO |
| 20 | 1.300 | x | 0.160 | 1.300 | x | 0.260 | U | 1.500 | x | 0.394 | 0.020 | 0.020 | 0.040 | 0.080 | 0.100 | 0.035 | B | - | No.11 | ID - 6750-MO |
| 20 | 1.300 | x | 0.160 | 1.300 | x | 0.260 | U | 1.500 | x | 0.394 | 0.020 | 0.020 | 0.040 | 0.080 | 0.100 | 0.035 | B | - | No.11 | ID - 6751-MO |
| 22 | 0.630 | x | 0.122 | 0.866 | x | 0.319 | U | 1.252 | x | 0.394 | 0.030 | 0.030 | 0.040 | 0.120 | 0.100 | 0.038 | B | - | No.1,12 | ID - 6906-MO |
| 22 | 1.160 | x | 0.200 | 1.240 | x | 0.280 | U | 1.600 | x | 0.394 | 0.020 | 0.020 | 0.040 | 0.080 | 0.100 | 0.035 | B | - | No.6 | ID - 7126-MO |
| 24 | 0.250 | x | 0.175 | 0.440 | x | 0.227 | U | 1.200 | x | 0.295 | 0.040 | 0.020 | 0.025 | 0.085 | 0.100 | 0.050 | B | 0 | 0 | ID - 470 |



COMMUNICATION MEDIA COMPONENTS GROUP

NGK SPARK PLUG CO.,LTD.
2808,IWASAKI,KOMAKI,AICHI,485.JAPAN

Inquiries about
the product

UNIT: inch

| LEAD COUNT | CAVITY | | | | | | OVERALL | | | LAYER THICKNESS | | | | LEAD | | NTK MATERIAL CODE B:Black W:White | CONNECTION (0:NON-Connect) | | DRAWING NO. | |
|---------------|----------|---|-------|----------|---|-------|---------|-------|---|------------------|-------|-------|-------|-------|-------|---|-------------------------------|--------------|---------------|---------------|
| | DIE CAV. | | | TOP CAV. | | | | | | UP(U) DOWN(D) | 1st | 2nd | 3rd | TOTAL | PITCH | | STAND OFF HEIGHT | SEAL RING | | |
| | A | X | B | C | X | D | E | X | F | | | | | | | | | | | |
| 24 | 0.250 | x | 0.175 | 0.440 | x | 0.227 | U | 1.200 | x | 0.295 | 0.025 | 0.020 | 0.040 | 0.085 | 0.100 | 0.050 | B | 0 | 0 | ID - 6907A-MO |
| 24 | 0.250 | x | 0.175 | 0.440 | x | 0.227 | U | 1.200 | x | 0.295 | 0.025 | 0.020 | 0.040 | 0.085 | 0.100 | 0.050 | B | 0 | 0 | ID - 6788A-MO |
| 24 | 0.250 | x | 0.250 | 0.400 | x | 0.400 | U | 1.200 | x | 0.594 | 0.040 | 0.025 | 0.020 | 0.085 | 0.100 | 0.050 | B | - | 0 | ID - 137UAL |
| 24 | 0.260 | x | 0.167 | 0.350 | x | 0.227 | U | 1.200 | x | 0.295 | 0.025 | 0.020 | 0.040 | 0.085 | 0.100 | 0.050 | B | GND | GND | ID - 6332-MO |
| 24 | 0.269 | x | 0.220 | 0.500 | x | 0.220 | U | 1.200 | x | 0.295 | 0.020 | 0.020 | 0.045 | 0.085 | 0.100 | 0.050 | B | 0 | "DB" PAD | ID - 6773-MO |
| 24 | 0.270 | x | 0.270 | 0.400 | x | 0.400 | U | 1.200 | x | 0.610 | 0.025 | 0.025 | 0.040 | 0.090 | 0.100 | 0.050 | B | 0 | 0 | ID - 6853B |
| 24 | 0.295 | x | 0.190 | 0.365 | x | 0.230 | U | 1.200 | x | 0.295 | 0.020 | 0.025 | 0.040 | 0.085 | 0.100 | 0.050 | B | 0 | "A" PAD | ID - 6618-MO |
| 24 | 0.310 | x | 0.310 | 0.395 | x | 0.395 | U | 1.200 | x | 0.595 | 0.020 | 0.030 | 0.030 | 0.080 | 0.100 | 0.050 | B | 0 | 0 | ID - 6715A-MO |
| 24 | 0.310 | x | 0.310 | 0.400 | x | 0.400 | U | 1.200 | x | 0.595 | 0.020 | 0.025 | 0.040 | 0.085 | 0.100 | 0.050 | B | 0 | No.15 | ID - 6164K-MO |
| 24 | 0.310 | x | 0.310 | 0.400 | x | 0.400 | U | 1.200 | x | 0.594 | 0.020 | 0.025 | 0.040 | 0.085 | 0.100 | 0.050 | B | 0 | 0 | ID - 167PAL |
| 24 | 0.315 | x | 0.315 | 0.395 | x | 0.395 | U | 1.200 | x | 0.594 | 0.015 | 0.025 | 0.040 | 0.080 | 0.100 | 0.050 | B | 0 | 0 | ID - 123QAL |
| 24 | 0.320 | x | 0.174 | 0.375 | x | 0.220 | U | 0.900 | x | 0.295 | 0.020 | 0.020 | 0.040 | 0.080 | 0.070 | 0.050 | B | 0 | 0 | ID - 6214C |
| 24 | 0.380 | x | 0.380 | 0.460 | x | 0.460 | U | 1.200 | x | 0.594 | 0.025 | 0.048 | 0.040 | 0.113 | 0.100 | 0.050 | B | 0 | 0 | ID - 6099AAL |
| 24 | 0.400 | x | 0.400 | 0.460 | x | 0.460 | U | 1.200 | x | 0.594 | 0.020 | 0.025 | 0.040 | 0.085 | 0.100 | 0.050 | B | 0 | 0 | ID - 690AAL |
| 24 | 0.472 | x | 0.354 | 0.551 | x | 0.433 | U | 1.200 | x | 0.595 | 0.020 | 0.020 | 0.040 | 0.080 | 0.100 | 0.050 | B | 0 | No.12 | ID - 563CA-MO |
| 24 | 0.496 | x | 0.157 | 0.543 | x | 0.208 | U | 1.669 | x | 0.295 | 0.020 | 0.030 | 0.035 | 0.085 | 0.100 | 0.050 | B | - | No.19 | ID - 7107-MO |
| 24 | 0.600 | x | 0.225 | 0.720 | x | 0.225 | U | 1.200 | x | 0.295 | 0.015 | 0.025 | 0.060 | 0.100 | 0.100 | 0.050 | B | 0 | 0 | ID - 6087B |
| 24 | 0.690 | x | 0.474 | 0.790 | x | 0.474 | U | 1.346 | x | 0.795 | 0.030 | 0.036 | 0.054 | 0.120 | 0.100 | 0.050 | B | - | No.11, 14 | ID - 7099B-MO |
| 24 | 0.713 | x | 0.513 | 0.810 | x | 0.610 | U | 1.360 | x | 0.795 | 0.030 | 0.035 | 0.055 | 0.120 | 0.100 | 0.070 | B | - | No.12, 13, 14 | ID - 7117A-MO |
| 24 | 0.819 | x | 0.157 | 0.870 | x | 0.208 | U | 1.669 | x | 0.295 | 0.020 | 0.030 | 0.035 | 0.085 | 0.100 | 0.050 | B | - | No.19 | ID - 7108-MO |
| 24 | 0.976 | x | 0.158 | 1.095 | x | 0.390 | U | 1.200 | x | 0.595 | 0.020 | 0.020 | 0.020 | 0.100 | 0.100 | 0.050 | B | - | No.12, 13 | ID - 7060AAL |
| 24 | 0.980 | x | 0.090 | 0.980 | x | 0.220 | U | 1.200 | x | 0.594 | 0.020 | 0.020 | 0.040 | 0.080 | 0.100 | 0.050 | B | - | No.24 | ID - 902-MO |
| 24 | 1.465 | x | 0.157 | 1.516 | x | 0.208 | U | 1.669 | x | 0.295 | 0.020 | 0.030 | 0.035 | 0.085 | 0.100 | 0.050 | B | - | No.19 | ID - 7109-MO |
| 28 | 0.220 | x | 0.220 | 0.370 | x | 0.370 | U | 1.400 | x | 0.594 | 0.020 | 0.020 | 0.040 | 0.080 | 0.100 | 0.050 | B | 0 | 0 | ID - 620-MO |



COMMUNICATION MEDIA COMPONENTS GROUP

NGK SPARK PLUG CO.,LTD.
2808,IWASAKI,KOMAKI,AICHI,485.JAPAN

Inquiries about
the product

UNIT: inch

| LEAD COUNT | CAVITY | | | | | | OVERALL | | | LAYER THICKNESS | | | | LEAD | | NTK MATERIAL CODE B:Black W:White | CONNECTION (0:NON-Connect) | | DRAWING NO. | |
|---------------|----------|---|-------|----------|---|-------|---------|-------|---|------------------|-------|-------|-------|-------|-------|---|-------------------------------|--------------|-------------|---------------|
| | DIE CAV. | | | TOP CAV. | | | | | | UP(U) DOWN(D) | 1st | 2nd | 3rd | TOTAL | PITCH | | STAND OFF HEIGHT | SEAL RING | | |
| | A | X | B | C | X | D | E | X | F | | | | | | | | | | | |
| 28 | 0.223 | x | 0.175 | 0.300 | x | 0.225 | U | 1.400 | x | 0.295 | 0.020 | 0.020 | 0.040 | 0.080 | 0.100 | 0.050 | B | 0 | 0 | ID - 6771A |
| 28 | 0.240 | x | 0.175 | 0.360 | x | 0.230 | U | 1.400 | x | 0.295 | 0.020 | 0.020 | 0.040 | 0.080 | 0.100 | 0.050 | B | 0 | 0 | ID - 6244D |
| 28 | 0.240 | x | 0.175 | 0.360 | x | 0.230 | U | 1.400 | x | 0.295 | 0.020 | 0.020 | 0.040 | 0.080 | 0.100 | 0.050 | B | No.1 | No.23 | ID - 6244EAZ |
| 28 | 0.250 | x | 0.250 | 0.370 | x | 0.370 | U | 1.400 | x | 0.594 | 0.020 | 0.020 | 0.040 | 0.080 | 0.100 | 0.050 | B | 0 | 0 | ID - 247EAL |
| 28 | 0.250 | x | 0.250 | 0.370 | x | 0.370 | U | 1.400 | x | 0.594 | 0.020 | 0.020 | 0.040 | 0.080 | 0.100 | 0.050 | B | 0 | 0 | ID - 6108VAL |
| 28 | 0.250 | x | 0.250 | 0.400 | x | 0.400 | U | 1.400 | x | 0.594 | 0.020 | 0.025 | 0.040 | 0.085 | 0.100 | 0.050 | B | 0 | 0 | ID - 397-MO |
| 28 | 0.260 | x | 0.167 | 0.350 | x | 0.227 | U | 1.400 | x | 0.295 | 0.020 | 0.020 | 0.040 | 0.080 | 0.100 | 0.050 | B | 0 | 0 | ID - 6754A |
| 28 | 0.260 | x | 0.167 | 0.350 | x | 0.227 | U | 1.400 | x | 0.295 | 0.020 | 0.020 | 0.040 | 0.080 | 0.100 | 0.050 | B | 0 | No.14 | ID - 6754B |
| 28 | 0.290 | x | 0.220 | 0.500 | x | 0.220 | U | 1.400 | x | 0.295 | 0.020 | 0.020 | 0.045 | 0.085 | 0.100 | 0.050 | B | 0 | 0 | ID - 6770A |
| 28 | 0.300 | x | 0.300 | 0.400 | x | 0.400 | U | 1.400 | x | 0.595 | 0.020 | 0.025 | 0.040 | 0.085 | 0.100 | 0.050 | B | 0 | 0 | ID - 6883V |
| 28 | 0.310 | x | 0.310 | 0.400 | x | 0.400 | U | 1.400 | x | 0.595 | 0.020 | 0.025 | 0.035 | 0.080 | 0.100 | 0.050 | B | 0 | 0 | ID - 301XBL |
| 28 | 0.315 | x | 0.315 | 0.395 | x | 0.395 | U | 1.400 | x | 0.595 | 0.020 | 0.025 | 0.040 | 0.085 | 0.100 | 0.050 | B | 0 | 0 | ID - 6942A-MO |
| 28 | 0.315 | x | 0.315 | 0.395 | x | 0.395 | U | 1.400 | x | 0.594 | 0.020 | 0.025 | 0.040 | 0.085 | 0.100 | 0.050 | B | 0 | 0 | ID - 111MAL |
| 28 | 0.400 | x | 0.370 | 0.490 | x | 0.450 | U | 1.400 | x | 0.595 | 0.020 | 0.025 | 0.040 | 0.085 | 0.100 | 0.050 | B | 0 | No.28 | ID - 442CB-MO |
| 28 | 0.410 | x | 0.390 | 0.490 | x | 0.390 | U | 1.400 | x | 0.594 | 0.020 | 0.025 | 0.040 | 0.085 | 0.100 | 0.050 | B | 0 | PAD A,D | ID - 6716AAL |
| 28 | 0.440 | x | 0.220 | 0.560 | x | 0.230 | U | 1.400 | x | 0.295 | 0.018 | 0.030 | 0.037 | 0.085 | 0.100 | 0.050 | B | 0 | - | ID - 6787-MO |
| 28 | 0.550 | x | 0.440 | 0.630 | x | 0.440 | U | 1.400 | x | 0.594 | 0.040 | 0.040 | 0.040 | 0.120 | 0.100 | 0.050 | B | 0 | 0 | ID - 6881AAL |
| 28 | 0.560 | x | 0.279 | 0.610 | x | 0.325 | U | 1.400 | x | 0.395 | 0.020 | 0.020 | 0.040 | 0.080 | 0.100 | 0.050 | B | 0 | GND PAD | ID - 6543AA |
| 28 | 0.600 | x | 0.225 | 0.720 | x | 0.225 | U | 1.400 | x | 0.295 | 0.015 | 0.040 | 0.045 | 0.100 | 0.100 | 0.050 | B | 0 | - | ID - 6777-MO |
| 28 | 1.160 | x | 0.110 | 1.175 | x | 0.180 | U | 1.450 | x | 0.595 | 0.020 | 0.020 | 0.040 | 0.080 | 0.100 | 0.050 | B | - | No.28 | ID - 903C-MO |
| 32 | 0.260 | x | 0.170 | 0.335 | x | 0.223 | U | 1.600 | x | 0.295 | 0.015 | 0.025 | 0.060 | 0.100 | 0.100 | 0.050 | B | 0 | 0 | ID - 6395A |
| 32 | 0.280 | x | 0.240 | 0.720 | x | 0.330 | U | 1.600 | x | 0.395 | 0.020 | 0.025 | 0.040 | 0.085 | 0.100 | 0.050 | B | No.16 | No.16 | ID - 6912-MO |
| 32 | 0.300 | x | 0.300 | 0.400 | x | 0.400 | U | 1.600 | x | 0.594 | 0.025 | 0.025 | 0.040 | 0.090 | 0.100 | 0.050 | B | 0 | - | ID - 6823-MO |
| 32 | 0.310 | x | 0.240 | 0.400 | x | 0.400 | U | 1.600 | x | 0.595 | 0.025 | 0.020 | 0.040 | 0.085 | 0.100 | 0.050 | B | 0 | PAD D/A | ID - 6799-MO |



COMMUNICATION MEDIA COMPONENTS GROUP

NGK SPARK PLUG CO.,LTD.
2808,IWASAKI,KOMAKI,AICHI,485,JAPAN

Inquiries about
the product

UNIT: inch

| LEAD COUNT | CAVITY | | | | | | OVERALL | | | LAYER THICKNESS | | | | LEAD | | NTK MATERIAL CODE B:Black W:White | CONNECTION (0:NON-Connect) | | DRAWING NO. | |
|---------------|----------|---|-------|----------|---|-------|---------|-------|---|-----------------|-------|-------|-------|-------|------------------------|---|-------------------------------|---------------|-------------|---------------|
| | DIE CAV. | | | TOP CAV. | | | | | | 1st | 2nd | 3rd | TOTAL | PITCH | STAND OFF HEIGHT | | SEAL RING | DIE ATTACH | | |
| | A | X | B | C | X | D | E | X | F | | | | | | | | | | | |
| 32 | 0.380 | x | 0.240 | 0.720 | x | 0.330 | U | 1.600 | x | 0.394 | 0.020 | 0.025 | 0.040 | 0.085 | 0.100 | 0.050 | B | 0 | 0 | ID - 6733A |
| 32 | 0.394 | x | 0.299 | 0.598 | x | 0.461 | U | 1.600 | x | 0.594 | 0.015 | 0.025 | 0.040 | 0.080 | 0.100 | 0.050 | B | 0 | 0 | ID - 6901-MO |
| 32 | 0.394 | x | 0.354 | 0.598 | x | 0.461 | U | 1.600 | x | 0.594 | 0.020 | 0.025 | 0.040 | 0.085 | 0.100 | 0.050 | B | 0 | 0 | ID - 6929-MO |
| 32 | 0.410 | x | 0.490 | 0.555 | x | 0.490 | U | 1.600 | x | 0.595 | 0.020 | 0.030 | 0.040 | 0.090 | 0.100 | 0.050 | B | 0 | No.16 | ID - 6957-MO |
| 32 | 0.535 | x | 0.430 | 0.595 | x | 0.490 | U | 1.600 | x | 0.594 | 0.020 | 0.020 | 0.040 | 0.080 | 0.100 | 0.050 | B | 0 | No.14 | ID - 6646B |
| 32 | 0.550 | x | 0.370 | 0.786 | x | 0.456 | U | 1.600 | x | 0.595 | 0.025 | 0.020 | 0.040 | 0.085 | 0.100 | 0.050 | B | 0 | 0 | ID - 6657-MO |
| 32 | 0.636 | x | 0.189 | 1.160 | x | 0.379 | U | 1.250 | x | 0.490 | 0.020 | 0.020 | 0.035 | 0.110 | 0.070 | 0.050 | B | - | No.26 | ID - 7086-MO |
| 32 | 0.773 | x | 0.354 | 0.773 | x | 0.414 | U | 1.600 | x | 0.595 | 0.020 | 0.020 | 0.060 | 0.100 | 0.100 | 0.050 | B | 0 | 0 | ID - 6708-MO |
| 40 | 0.250 | x | 0.250 | 0.370 | x | 0.370 | U | 2.000 | x | 0.594 | 0.020 | 0.025 | 0.040 | 0.085 | 0.100 | 0.050 | B | 0 | 0 | ID - 512ZAL |
| 40 | 0.250 | x | 0.250 | 0.400 | x | 0.400 | U | 2.000 | x | 0.594 | 0.020 | 0.025 | 0.040 | 0.085 | 0.100 | 0.050 | B | 0 | 0 | ID - 6712AAL |
| 40 | 0.300 | x | 0.380 | 0.470 | x | 0.470 | U | 2.000 | x | 0.594 | 0.015 | 0.035 | 0.035 | 0.085 | 0.100 | 0.050 | B | 0 | - | ID - 6785-MO |
| 40 | 0.310 | x | 0.310 | 0.400 | x | 0.400 | U | 2.000 | x | 0.594 | 0.020 | 0.025 | 0.040 | 0.085 | 0.100 | 0.050 | B | 0 | 0 | ID - 269RBL |
| 40 | 0.310 | x | 0.310 | 0.400 | x | 0.400 | U | 2.000 | x | 0.594 | 0.015 | 0.025 | 0.040 | 0.080 | 0.100 | 0.050 | B | No.1 | No.1 | ID - 6077NAL |
| 40 | 0.310 | x | 0.310 | 0.400 | x | 0.400 | U | 2.000 | x | 0.594 | 0.020 | 0.025 | 0.040 | 0.085 | 0.100 | 0.050 | B | 0 | 0 | ID - 6077RAL |
| 40 | 0.340 | x | 0.340 | 0.400 | x | 0.400 | U | 2.000 | x | 0.594 | 0.020 | 0.020 | 0.040 | 0.080 | 0.100 | 0.050 | B | 0 | 0 | ID - 637BAL |
| 40 | 0.400 | x | 0.400 | 0.470 | x | 0.470 | U | 2.000 | x | 0.594 | 0.025 | 0.025 | 0.040 | 0.090 | 0.100 | 0.050 | B | 0 | 0 | ID - 6807CAL |
| 40 | 0.400 | x | 0.400 | 0.470 | x | 0.470 | U | 2.000 | x | 0.594 | 0.020 | 0.025 | 0.040 | 0.085 | 0.100 | 0.050 | B | 0 | 0 | ID - 192YBL |
| 40 | 0.420 | x | 0.420 | 0.480 | x | 0.480 | U | 2.000 | x | 0.594 | 0.015 | 0.030 | 0.040 | 0.085 | 0.100 | 0.050 | B | 0 | 0 | ID - 6871-MO |
| 40 | 1.266 | x | 0.269 | 1.586 | x | 0.504 | U | 2.000 | x | 0.795 | 0.020 | 0.040 | 0.040 | 0.130 | 0.100 | 0.050 | B | - | No.33 | ID - 7091-MO |
| 48 | 0.200 | x | 0.200 | 0.340 | x | 0.340 | U | 2.400 | x | 0.595 | 0.020 | 0.025 | 0.040 | 0.085 | 0.100 | 0.050 | B | 0 | 0 | ID - 6505A-MO |
| 48 | 0.250 | x | 0.250 | 0.350 | x | 0.350 | U | 2.400 | x | 0.595 | 0.020 | 0.025 | 0.040 | 0.085 | 0.100 | 0.050 | B | 0 | 0 | ID - 6909-MO |
| 48 | 0.310 | x | 0.310 | 0.400 | x | 0.400 | U | 2.400 | x | 0.594 | 0.020 | 0.025 | 0.040 | 0.085 | 0.100 | 0.050 | B | 0 | 0 | ID - 343QAL |
| 48 | 0.350 | x | 0.350 | 0.450 | x | 0.450 | U | 2.400 | x | 0.594 | 0.020 | 0.025 | 0.040 | 0.085 | 0.100 | 0.050 | B | 0 | 0 | ID - 6109BAL |
| 52 | 0.551 | x | 0.354 | 0.630 | x | 0.433 | U | 1.840 | x | 0.590 | 0.020 | 0.020 | 0.040 | 0.080 | 0.070 | 0.050 | B | 0 | 0 | ID - 6550A |



COMMUNICATION MEDIA COMPONENTS GROUP

NGK SPARK PLUG CO.,LTD.
2808,IWASAKI,KOMAKI,AICHI,485,JAPAN

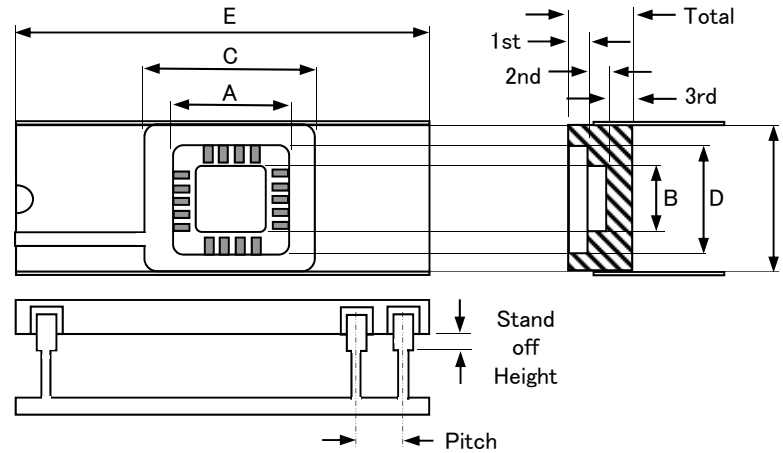
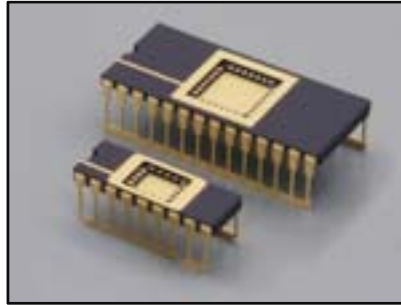
Inquiries about
the product

UNIT: inch

| LEAD COUNT | CAVITY | | | | | | | OVERALL | | | LAYER THICKNESS | | | | LEAD | | NTK MATERIAL CODE B:Black W:White | CONNECTION (0:NON-Connect) | | DRAWING NO. | |
|---------------|----------|---|-------|----------|---|-------|------------------|---------|---|-------|-----------------|-------|-------|-------|-------|------------------------|---|-------------------------------|---------------|--------------|--|
| | DIE CAV. | | | TOP CAV. | | | UP(U) DOWN(D) | | | | 1st | 2nd | 3rd | TOTAL | PITCH | STAND OFF HEIGHT | | SEAL RING | DIE ATTACH | | |
| | A | X | B | C | X | D | | E | X | F | | | | | | | | | | | |
| 64 | 0.310 | x | 0.310 | 0.400 | x | 0.400 | U | 3.200 | x | 0.894 | 0.020 | 0.025 | 0.040 | 0.085 | 0.100 | 0.050 | B | 0 | 0 | ID - 372AB | |
| 64 | 0.417 | x | 0.417 | 0.525 | x | 0.525 | U | 2.240 | x | 0.738 | 0.020 | 0.025 | 0.045 | 0.090 | 0.070 | 0.050 | B | 0 | 0 | ID - 6515Z | |
| 64 | 0.480 | x | 0.480 | 0.550 | x | 0.550 | U | 3.200 | x | 0.894 | 0.020 | 0.025 | 0.040 | 0.085 | 0.100 | 0.050 | B | 0 | 0 | ID - 297J | |
| 64 | 0.866 | x | 0.413 | 0.929 | x | 0.476 | U | 2.260 | x | 0.745 | 0.022 | 0.030 | 0.043 | 0.095 | 0.070 | 0.050 | B | - | - | ID - 6894-MO | |
| 64 | 1.181 | x | 0.394 | 1.299 | x | 0.512 | U | 3.200 | x | 0.894 | 0.020 | 0.025 | 0.040 | 0.085 | 0.100 | 0.050 | B | - | 0 | ID - 6780A | |

Inquiries about the product

NTK C-DIP (Ceramic – Dual Inline Packages)



UNIT: mm

| LEAD COUNT | CAVITY | | | | | | OVERALL | | | LAYER THICKNESS | | | | LEAD | | NTK MATERIAL CODE B:Black W:White | CONNECTION (0:NON-Connect) | | DRAWING NO. | |
|------------|----------|---|-------|----------|---|-------|---------|--------|---|------------------|-------|-------|-------|-------|-------|---|----------------------------|-----------|-------------|---------------|
| | DIE CAV. | | | TOP CAV. | | | | | | UP(U) DOWN(D) | 1st | 2nd | 3rd | TOTAL | PITCH | | STAND OFF HEIGHT | SEAL RING | | DIE ATTACH |
| | A | X | B | C | X | D | E | X | F | | | | | | | | | | | |
| 8 | 5.080 | x | 4.318 | 7.112 | x | 5.588 | U | 9.906 | x | 7.366 | 0.508 | 0.635 | 1.016 | 2.159 | 2.540 | 0.889 | B | 0 | 0 | ID - 6891-MO |
| 8 | 5.080 | x | 4.318 | 7.109 | x | 5.588 | U | 9.911 | x | 7.371 | 0.508 | 0.635 | 1.016 | 2.159 | 2.540 | 1.016 | B | 0 | 0 | ID - 6926A-MO |
| 8 | 5.540 | x | 4.572 | 7.490 | x | 5.720 | U | 9.652 | x | 7.371 | 1.016 | 1.016 | 1.730 | 3.762 | 2.540 | 1.016 | B | 0 | - | ID - 6656C-MO |
| 8 | 5.540 | x | 4.572 | 7.869 | x | 4.572 | U | 9.911 | x | 7.490 | 1.321 | 1.016 | | 2.337 | 2.540 | 1.001 | B | 0 | SEE DRAWING | ID - 6538F-MO |
| 8 | 5.537 | x | 4.572 | 8.128 | x | 5.715 | U | 9.906 | x | 7.493 | 0.635 | 0.762 | 0.635 | 2.032 | 2.540 | 1.016 | B | 0 | 0 | ID - 6074L |
| 8 | 5.537 | x | 4.572 | 8.128 | x | 5.969 | U | 9.906 | x | 7.493 | 0.635 | 0.762 | 0.635 | 2.032 | 2.540 | 1.016 | B | 0 | 0 | ID - 6242B |
| 8 | 6.756 | x | 4.496 | 9.525 | x | 5.563 | U | 13.208 | x | 7.366 | 0.635 | 0.635 | 1.016 | 2.286 | 2.540 | 0.889 | B | 0 | No.1,5 | ID - 6911-MO |
| 8 | 7.747 | x | 2.413 | 10.160 | x | 5.080 | U | 13.208 | x | 7.315 | 0.508 | 0.508 | 1.016 | 2.032 | 2.540 | 0.889 | B | 0 | No.1,4,5,8 | ID - 6393A |
| 10 | 5.461 | x | 2.286 | 6.350 | x | 4.064 | U | 12.700 | x | 7.493 | 0.508 | 0.508 | 1.016 | 2.032 | 3.302 | 0.889 | B | No.10 | No.10 | ID - 7003C |
| 14 | 5.080 | x | 3.909 | 8.001 | x | 5.611 | U | 18.999 | x | 7.501 | 0.635 | 0.762 | 0.762 | 2.159 | 2.540 | 0.889 | B | 0 | 0 | ID - 6764A-MO |
| 14 | 5.588 | x | 3.810 | 8.001 | x | 5.613 | U | 18.999 | x | 7.493 | 0.381 | 0.762 | 0.889 | 2.032 | 2.540 | 0.889 | B | - | - | ID - 6144C |
| 14 | 5.588 | x | 4.420 | 8.001 | x | 5.720 | U | 18.999 | x | 7.501 | 0.508 | 0.635 | 0.889 | 2.032 | 2.540 | 0.889 | B | 0 | 0 | ID - 268N |



COMMUNICATION MEDIA COMPONENTS GROUP

NGK SPARK PLUG CO.,LTD.
2808,IWASAKI,KOMAKI,AICHI,485.JAPAN

Inquiries about
the product

UNIT: mm

| LEAD COUNT | CAVITY | | | | | | OVERALL | | | LAYER THICKNESS | | | | LEAD | | NTK MATERIAL CODE B:Black W:White | CONNECTION (0:NON-Connect) | | DRAWING NO. | |
|---------------|----------|---|-------|----------|---|-------|---------|--------|---|------------------|-------|-------|-------|-------|-------|---|-------------------------------|--------------|------------------|---------------|
| | DIE CAV. | | | TOP CAV. | | | | | | UP(U) DOWN(D) | 1st | 2nd | 3rd | TOTAL | PITCH | | STAND OFF HEIGHT | SEAL RING | | |
| | A | X | B | C | X | D | E | X | F | | | | | | | | | | | |
| 14 | 6.198 | x | 4.420 | 8.636 | x | 5.720 | U | 20.320 | x | 7.531 | 0.508 | 0.635 | 1.016 | 2.159 | 2.540 | 0.889 | B | 0 | SEE DRAWING | ID - 378A |
| 14 | 6.599 | x | 4.420 | 8.128 | x | 5.611 | U | 17.780 | x | 7.501 | 0.508 | 0.635 | 1.016 | 2.159 | 2.540 | 0.889 | B | 0 | 0 | ID - 6923A-MO |
| 14 | 6.599 | x | 4.420 | 8.128 | x | 5.611 | U | 17.300 | x | 7.501 | 0.635 | 0.762 | 0.762 | 2.159 | 2.540 | 0.889 | B | 0 | - | ID - 6559A |
| 14 | 6.604 | x | 4.420 | 8.128 | x | 5.613 | U | 17.780 | x | 7.493 | 0.508 | 0.635 | 1.016 | 2.159 | 2.540 | 0.889 | B | 0 | 0 | ID - 134T |
| 14 | 13.970 | x | 4.445 | 14.605 | x | 5.639 | U | 19.558 | x | 7.493 | 0.635 | 1.016 | 0.508 | 2.159 | 2.540 | 0.889 | B | 0 | - | ID - 6273BA |
| 14 | 13.970 | x | 4.445 | 14.605 | x | 5.639 | U | 19.558 | x | 7.493 | 0.635 | 1.016 | 0.508 | 2.159 | 2.540 | 0.889 | B | 0 | No.1 | ID - 6273C |
| 14 | 13.970 | x | 4.445 | 14.605 | x | 5.639 | U | 19.558 | x | 7.493 | 0.889 | 0.635 | 1.016 | 2.540 | 2.540 | 0.889 | B | 0 | 0 | ID - 6670-MO |
| 14 | 13.995 | x | 3.810 | 15.037 | x | 5.385 | U | 18.999 | x | 7.366 | 0.635 | 0.508 | 1.016 | 2.159 | 2.540 | 0.889 | B | 0 | No.1,4,7,8,11,14 | ID - 6154D |
| 16 | 4.569 | x | 3.299 | 8.641 | x | 5.720 | U | 20.320 | x | 7.531 | 0.508 | 0.635 | 1.016 | 2.159 | 2.540 | 0.889 | B | 0 | 0 | ID - 509CA-MO |
| 16 | 4.572 | x | 3.734 | 7.620 | x | 5.664 | U | 20.320 | x | 7.493 | 0.508 | 0.635 | 1.016 | 2.159 | 2.540 | 0.889 | B | 0 | 0 | ID - 140-MO |
| 16 | 5.588 | x | 4.191 | 8.641 | x | 5.740 | U | 20.320 | x | 7.501 | 0.508 | 0.508 | 1.016 | 2.032 | 2.540 | 0.889 | B | 0 | 0 | ID - 6139AAL |
| 16 | 6.101 | x | 4.110 | 8.509 | x | 5.819 | U | 20.320 | x | 7.501 | 0.508 | 0.635 | 1.016 | 2.159 | 2.540 | 0.889 | B | 0 | - | ID - 6763A-MO |
| 16 | 6.096 | x | 4.420 | 8.509 | x | 5.613 | U | 20.320 | x | 7.493 | 0.635 | 0.508 | 1.016 | 2.159 | 2.540 | 1.092 | B | 0 | 0 | ID - 594H |
| 16 | 6.198 | x | 4.420 | 8.636 | x | 5.715 | U | 20.320 | x | 7.569 | 0.508 | 0.508 | 1.016 | 2.032 | 2.540 | 1.092 | B | 0 | 0 | ID - 6319EAL |
| 16 | 6.198 | x | 4.420 | 8.641 | x | 5.720 | U | 20.320 | x | 7.531 | 0.508 | 0.635 | 1.016 | 2.159 | 2.540 | 0.889 | B | 0 | 0 | ID - 115PAL |
| 16 | 6.731 | x | 4.420 | 8.509 | x | 5.715 | U | 20.320 | x | 7.493 | 0.635 | 0.508 | 1.016 | 2.159 | 2.540 | 0.889 | B | 0 | No.1 | ID - 572BAL |
| 16 | 8.128 | x | 4.420 | 9.525 | x | 5.588 | U | 20.320 | x | 7.493 | 0.508 | 0.635 | 1.016 | 2.159 | 2.540 | 0.889 | B | 0 | 0 | ID - 201-MO |
| 16 | 8.128 | x | 4.420 | 9.652 | x | 5.720 | U | 20.320 | x | 7.531 | 0.508 | 0.635 | 1.016 | 2.159 | 2.540 | 0.889 | B | 0 | 0 | ID - 283LAL |
| 16 | 8.382 | x | 4.953 | 9.525 | x | 5.969 | U | 20.320 | x | 7.493 | 0.635 | 0.508 | 1.016 | 2.159 | 2.540 | 1.092 | B | 0 | 0 | ID - 6732A |
| 16 | 8.382 | x | 4.953 | 9.525 | x | 5.969 | U | 20.320 | x | 7.493 | 0.635 | 0.508 | 1.016 | 2.159 | 2.540 | 1.092 | B | 0 | No.1-8 | ID - 6732B |
| 16 | 8.890 | x | 4.572 | 10.287 | x | 5.588 | U | 20.320 | x | 7.493 | 0.635 | 0.508 | 1.016 | 2.159 | 2.540 | 0.889 | B | 0 | 0 | ID - 390GAL |
| 16 | 8.890 | x | 4.572 | 10.290 | x | 5.588 | U | 20.320 | x | 7.501 | 0.508 | 0.889 | 1.016 | 2.413 | 2.540 | 0.889 | B | 0 | 0 | ID - 6914BAL |
| 16 | 10.160 | x | 4.445 | 11.684 | x | 5.715 | U | 20.320 | x | 7.493 | 0.508 | 0.635 | 1.016 | 2.159 | 2.540 | 0.889 | B | 0 | 0 | ID - 6878AAL |
| 16 | 10.160 | x | 5.613 | 12.954 | x | 5.613 | U | 20.320 | x | 7.493 | 0.508 | 0.635 | 1.016 | 2.159 | 2.540 | 0.889 | B | 0 | 0 | ID - 494CAL |



COMMUNICATION MEDIA COMPONENTS GROUP

NGK SPARK PLUG CO.,LTD.
2808,IWASAKI,KOMAKI,AICHI,485,JAPAN

Inquiries about
the product

UNIT: mm

| LEAD COUNT | CAVITY | | | | | | OVERALL | | | LAYER THICKNESS | | | | LEAD | | NTK MATERIAL CODE B:Black W:White | CONNECTION (0:NON-Connect) | | DRAWING NO. | |
|---------------|----------|---|-------|----------|---|-------|---------|--------|---|-----------------|-------|-------|-------|-------|------------------------|---|-------------------------------|---------------|-------------------------|---------------|
| | DIE CAV. | | | TOP CAV. | | | | | | 1st | 2nd | 3rd | TOTAL | PITCH | STAND OFF HEIGHT | | SEAL RING | DIE ATTACH | | |
| | A | X | B | C | X | D | E | X | F | | | | | | | | | | | |
| 16 | 12.192 | × | 5.588 | 12.189 | × | 5.588 | U | 20.320 | × | 7.493 | 1.270 | 0.582 | | 1.852 | 2.540 | 0.889 | B | 0 | No.2-7, No.10-15, A PAD | ID - 497CBL |
| 16 | 12.192 | × | 5.588 | 14.732 | × | 5.588 | U | 20.320 | × | 7.493 | 1.143 | 0.508 | 1.016 | 2.667 | 2.540 | 0.889 | B | 0 | "G"PAD | ID - 6157-MO |
| 18 | 5.329 | × | 3.302 | 8.001 | × | 5.720 | U | 22.860 | × | 7.501 | 0.508 | 0.381 | 1.143 | 2.032 | 2.540 | 0.889 | B | 0 | 0 | ID - 510AB |
| 18 | 5.588 | × | 4.420 | 8.001 | × | 5.740 | U | 22.860 | × | 7.493 | 0.508 | 0.635 | 1.016 | 2.159 | 2.540 | 0.889 | B | 0 | 0 | ID - 245GB |
| 18 | 5.588 | × | 4.420 | 8.509 | × | 5.720 | U | 22.860 | × | 7.501 | 0.508 | 0.635 | 1.016 | 2.159 | 2.540 | 0.889 | B | 0 | No.8 | ID - 6946A-MO |
| 18 | 5.588 | × | 4.420 | 8.509 | × | 5.720 | U | 22.860 | × | 7.501 | 0.508 | 0.635 | 1.016 | 2.159 | 2.540 | 0.889 | B | 0 | 0 | ID - 6592A |
| 18 | 5.969 | × | 4.420 | 8.509 | × | 5.720 | U | 22.860 | × | 7.501 | 0.508 | 0.635 | 1.016 | 2.159 | 2.540 | 0.889 | B | 0 | 0 | ID - 402B |
| 18 | 7.214 | × | 4.166 | 10.490 | × | 5.994 | U | 22.860 | × | 7.493 | 0.635 | 0.508 | 1.016 | 2.159 | 2.540 | 0.889 | B | 0 | 0 | ID - 6809-MO |
| 18 | 8.128 | × | 4.445 | 9.652 | × | 5.715 | U | 22.860 | × | 7.493 | 0.889 | 0.889 | 0.762 | 2.540 | 2.540 | 0.889 | B | 0 | 0 | ID - 6307D |
| 20 | 5.715 | × | 4.267 | 8.001 | × | 5.512 | U | 25.400 | × | 7.518 | 0.508 | 0.635 | 1.016 | 2.159 | 2.540 | 0.889 | B | 0 | 0 | ID - 251-MO |
| 20 | 6.350 | × | 4.013 | 8.382 | × | 5.588 | U | 25.400 | × | 7.493 | 0.381 | 0.762 | 0.889 | 2.032 | 2.540 | 0.889 | B | 0 | 0 | ID - 6755A |
| 20 | 6.604 | × | 4.445 | 8.509 | × | 5.791 | U | 25.400 | × | 7.493 | 0.635 | 0.508 | 1.016 | 2.159 | 2.540 | 0.889 | B | 0 | 0 | ID - 6268B |
| 20 | 6.604 | × | 4.420 | 9.525 | × | 5.791 | U | 25.400 | × | 7.493 | 0.508 | 0.635 | 1.016 | 2.159 | 2.540 | 0.889 | B | 0 | 0 | ID - 6499-MO |
| 20 | 8.890 | × | 6.350 | 18.288 | × | 8.001 | U | 25.400 | × | 10.008 | 0.508 | 0.635 | 1.016 | 2.159 | 2.540 | 0.889 | B | 0 | 0 | ID - 6752A |
| 20 | 9.020 | × | 5.509 | 11.300 | × | 5.720 | U | 25.400 | × | 7.501 | 0.508 | 0.635 | 1.016 | 2.159 | 2.540 | 0.889 | B | 0 | 0 | ID - 6007B |
| 20 | 10.160 | × | 5.230 | 12.570 | × | 5.230 | U | 25.400 | × | 7.501 | 0.508 | 0.508 | 1.016 | 2.032 | 2.540 | 0.889 | B | 0 | GND PAD | ID - 6521A |
| 20 | 10.820 | × | 4.572 | 12.499 | × | 5.740 | U | 25.400 | × | 7.501 | 0.508 | 0.635 | 1.016 | 2.159 | 2.540 | 0.889 | B | 0 | GND PAD | ID - 6089A-MO |
| 20 | 11.938 | × | 5.715 | 14.478 | × | 5.715 | U | 25.400 | × | 7.874 | 1.270 | 0.508 | 0.508 | 2.286 | 2.540 | 0.889 | B | 0 | 0 | ID - 6902A |
| 20 | 24.003 | × | 3.607 | 24.003 | × | 5.994 | U | 29.007 | × | 10.160 | 1.016 | 0.635 | 1.016 | 2.667 | 2.540 | 0.889 | B | - | GND | ID - 7082-MO |
| 20 | 33.020 | × | 4.064 | 33.020 | × | 6.604 | U | 38.100 | × | 10.008 | 0.508 | 0.508 | 1.016 | 2.032 | 2.540 | 0.889 | B | - | No.11 | ID - 6750-MO |
| 20 | 33.020 | × | 4.064 | 33.020 | × | 6.604 | U | 38.100 | × | 10.008 | 0.508 | 0.508 | 1.016 | 2.032 | 2.540 | 0.889 | B | - | No.11 | ID - 6751-MO |
| 22 | 16.002 | × | 3.099 | 21.996 | × | 8.103 | U | 31.801 | × | 10.008 | 0.762 | 0.762 | 1.016 | 3.048 | 2.540 | 0.965 | B | - | No.1,12 | ID - 6906-MO |
| 22 | 29.464 | × | 5.080 | 31.496 | × | 7.112 | U | 40.640 | × | 10.008 | 0.508 | 0.508 | 1.016 | 2.032 | 2.540 | 0.889 | B | - | No.6 | ID - 7126-MO |
| 24 | 6.350 | × | 4.445 | 11.176 | × | 5.766 | U | 30.480 | × | 7.493 | 1.016 | 0.508 | 0.635 | 2.159 | 2.540 | 1.270 | B | 0 | 0 | ID - 470 |



COMMUNICATION MEDIA COMPONENTS GROUP

NGK SPARK PLUG CO.,LTD.
2808,IWASAKI,KOMAKI,AICHI,485,JAPAN

Inquiries about
the product

UNIT: mm

| LEAD COUNT | CAVITY | | | | | | OVERALL | | | LAYER THICKNESS | | | | LEAD | | NTK MATERIAL CODE B:Black W:White | CONNECTION (0:NON-Connect) | | DRAWING NO. | |
|---------------|----------|---|--------|----------|---|--------|---------|--------|---|------------------|-------|-------|-------|-------|-------|---|-------------------------------|--------------|---------------|---------------|
| | DIE CAV. | | | TOP CAV. | | | | | | UP(U) DOWN(D) | 1st | 2nd | 3rd | TOTAL | PITCH | | STAND OFF HEIGHT | SEAL RING | | |
| | A | X | B | C | X | D | E | X | F | | | | | | | | | | | |
| 24 | 6.350 | x | 4.450 | 11.181 | x | 5.771 | U | 30.480 | x | 7.501 | 0.635 | 0.508 | 1.016 | 2.159 | 2.540 | 1.270 | B | 0 | 0 | ID - 6907A-MO |
| 24 | 6.350 | x | 4.450 | 11.181 | x | 5.771 | U | 30.480 | x | 7.501 | 0.635 | 0.508 | 1.016 | 2.159 | 2.540 | 1.270 | B | 0 | 0 | ID - 6788A-MO |
| 24 | 6.350 | x | 6.350 | 10.160 | x | 10.160 | U | 30.480 | x | 15.088 | 1.016 | 0.635 | 0.508 | 2.159 | 2.540 | 1.270 | B | - | 0 | ID - 137UAL |
| 24 | 6.604 | x | 4.242 | 8.890 | x | 5.766 | U | 30.480 | x | 7.493 | 0.635 | 0.508 | 1.016 | 2.159 | 2.540 | 1.270 | B | GND | GND | ID - 6332-MO |
| 24 | 6.833 | x | 5.588 | 12.700 | x | 5.588 | U | 30.480 | x | 7.493 | 0.508 | 0.508 | 1.143 | 2.159 | 2.540 | 1.270 | B | 0 | "DB" PAD | ID - 6773-MO |
| 24 | 6.858 | x | 6.858 | 10.160 | x | 10.160 | U | 30.480 | x | 15.494 | 0.635 | 0.635 | 1.016 | 2.286 | 2.540 | 1.270 | B | 0 | 0 | ID - 6853B |
| 24 | 7.493 | x | 4.826 | 9.271 | x | 5.842 | U | 30.480 | x | 7.493 | 0.508 | 0.635 | 1.016 | 2.159 | 2.540 | 1.270 | B | 0 | "A" PAD | ID - 6618-MO |
| 24 | 7.869 | x | 7.869 | 10.030 | x | 10.030 | U | 30.480 | x | 15.100 | 0.508 | 0.762 | 0.762 | 2.032 | 2.540 | 1.270 | B | 0 | 0 | ID - 6715A-MO |
| 24 | 7.869 | x | 7.869 | 10.160 | x | 10.160 | U | 30.480 | x | 15.100 | 0.508 | 0.635 | 1.016 | 2.159 | 2.540 | 1.270 | B | 0 | No.15 | ID - 6164K-MO |
| 24 | 7.874 | x | 7.874 | 10.160 | x | 10.160 | U | 30.480 | x | 15.088 | 0.508 | 0.635 | 1.016 | 2.159 | 2.540 | 1.270 | B | 0 | 0 | ID - 167PAL |
| 24 | 8.001 | x | 8.001 | 10.033 | x | 10.033 | U | 30.480 | x | 15.088 | 0.381 | 0.635 | 1.016 | 2.032 | 2.540 | 1.270 | B | 0 | 0 | ID - 123QAL |
| 24 | 8.128 | x | 4.420 | 9.530 | x | 5.588 | U | 22.860 | x | 7.501 | 0.508 | 0.508 | 1.016 | 2.032 | 1.778 | 1.270 | B | 0 | 0 | ID - 6214C |
| 24 | 9.652 | x | 9.652 | 11.684 | x | 11.684 | U | 30.480 | x | 15.088 | 0.635 | 1.219 | 1.016 | 2.870 | 2.540 | 1.270 | B | 0 | 0 | ID - 6099AAL |
| 24 | 10.160 | x | 10.160 | 11.684 | x | 11.684 | U | 30.480 | x | 15.088 | 0.508 | 0.635 | 1.016 | 2.159 | 2.540 | 1.270 | B | 0 | 0 | ID - 690AAL |
| 24 | 11.999 | x | 8.999 | 14.000 | x | 10.998 | U | 30.480 | x | 15.100 | 0.508 | 0.508 | 1.016 | 2.032 | 2.540 | 1.270 | B | 0 | No.12 | ID - 563CA-MO |
| 24 | 12.598 | x | 3.988 | 13.792 | x | 5.283 | U | 42.393 | x | 7.493 | 0.508 | 0.762 | 0.889 | 2.159 | 2.540 | 1.270 | B | - | No.19 | ID - 7107-MO |
| 24 | 15.240 | x | 5.715 | 18.288 | x | 5.715 | U | 30.480 | x | 7.493 | 0.381 | 0.635 | 1.524 | 2.540 | 2.540 | 1.270 | B | 0 | 0 | ID - 6087B |
| 24 | 17.531 | x | 12.040 | 20.071 | x | 12.040 | U | 34.188 | x | 20.190 | 0.762 | 0.909 | 1.369 | 3.040 | 2.540 | 1.270 | B | - | No.11, 14 | ID - 7099B-MO |
| 24 | 18.110 | x | 13.030 | 20.569 | x | 15.489 | U | 34.544 | x | 20.190 | 0.762 | 0.889 | 1.400 | 3.051 | 2.540 | 1.778 | B | - | No.12, 13, 14 | ID - 7117A-MO |
| 24 | 20.803 | x | 3.988 | 22.098 | x | 5.283 | U | 42.393 | x | 7.493 | 0.508 | 0.762 | 0.889 | 2.159 | 2.540 | 1.270 | B | - | No.19 | ID - 7108-MO |
| 24 | 24.801 | x | 4.001 | 27.810 | x | 9.911 | U | 30.480 | x | 15.100 | 0.508 | 0.508 | 0.508 | 1.524 | 2.540 | 1.270 | B | - | No.12, 13 | ID - 7060AAL |
| 24 | 24.892 | x | 2.286 | 24.892 | x | 5.588 | U | 30.480 | x | 15.088 | 0.508 | 0.508 | 1.016 | 2.032 | 2.540 | 1.270 | B | - | No.24 | ID - 902-MO |
| 24 | 37.211 | x | 3.988 | 38.506 | x | 5.283 | U | 42.393 | x | 7.493 | 0.508 | 0.762 | 0.889 | 2.159 | 2.540 | 1.270 | B | - | No.19 | ID - 7109-MO |
| 28 | 5.588 | x | 5.588 | 9.398 | x | 9.398 | U | 35.560 | x | 15.088 | 0.508 | 0.508 | 1.016 | 2.032 | 2.540 | 1.270 | B | 0 | 0 | ID - 620-MO |



COMMUNICATION MEDIA COMPONENTS GROUP

NGK SPARK PLUG CO.,LTD.
2808,IWASAKI,KOMAKI,AICHI,485,JAPAN

Inquiries about
the product

UNIT: mm

| LEAD COUNT | CAVITY | | | | | | OVERALL | | | LAYER THICKNESS | | | | LEAD | | NTK MATERIAL CODE B:Black W:White | CONNECTION (0:NON-Connect) | | DRAWING NO. | |
|---------------|----------|---|--------|----------|---|--------|---------|--------|---|------------------|-------|-------|-------|-------|-------|---|-------------------------------|--------------|-------------|---------------|
| | DIE CAV. | | | TOP CAV. | | | | | | UP(U) DOWN(D) | 1st | 2nd | 3rd | TOTAL | PITCH | | STAND OFF HEIGHT | SEAL RING | | |
| | A | X | B | C | X | D | E | X | F | | | | | | | | | | | |
| 28 | 5.664 | x | 4.445 | 7.620 | x | 5.715 | U | 35.560 | x | 7.493 | 0.508 | 0.508 | 1.016 | 2.032 | 2.540 | 1.270 | B | 0 | 0 | ID - 6771A |
| 28 | 6.096 | x | 4.445 | 9.144 | x | 5.842 | U | 35.560 | x | 7.493 | 0.508 | 0.508 | 1.016 | 2.032 | 2.540 | 1.270 | B | 0 | 0 | ID - 6244D |
| 28 | 6.096 | x | 4.445 | 9.144 | x | 5.842 | U | 35.560 | x | 7.493 | 0.508 | 0.508 | 1.016 | 2.032 | 2.540 | 1.270 | B | No.1 | No.23 | ID - 6244EAZ |
| 28 | 6.350 | x | 6.350 | 9.398 | x | 9.398 | U | 35.560 | x | 15.088 | 0.508 | 0.508 | 1.016 | 2.032 | 2.540 | 1.270 | B | 0 | 0 | ID - 247EAL |
| 28 | 6.350 | x | 6.350 | 9.398 | x | 9.398 | U | 35.560 | x | 15.088 | 0.508 | 0.508 | 1.016 | 2.032 | 2.540 | 1.270 | B | 0 | 0 | ID - 6108VAL |
| 28 | 6.350 | x | 6.350 | 10.160 | x | 10.160 | U | 35.560 | x | 15.088 | 0.508 | 0.635 | 1.016 | 2.159 | 2.540 | 1.270 | B | 0 | 0 | ID - 397-MO |
| 28 | 6.604 | x | 4.242 | 8.890 | x | 5.766 | U | 35.560 | x | 7.493 | 0.508 | 0.508 | 1.016 | 2.032 | 2.540 | 1.270 | B | 0 | 0 | ID - 6754A |
| 28 | 6.604 | x | 4.242 | 8.890 | x | 5.766 | U | 35.560 | x | 7.493 | 0.508 | 0.508 | 1.016 | 2.032 | 2.540 | 1.270 | B | 0 | No.14 | ID - 6754B |
| 28 | 7.366 | x | 5.588 | 12.700 | x | 5.588 | U | 35.560 | x | 7.493 | 0.508 | 0.508 | 1.143 | 2.159 | 2.540 | 1.270 | B | 0 | 0 | ID - 6770A |
| 28 | 7.620 | x | 7.620 | 10.160 | x | 10.160 | U | 35.560 | x | 15.100 | 0.508 | 0.635 | 1.016 | 2.159 | 2.540 | 1.270 | B | 0 | 0 | ID - 6883V |
| 28 | 7.869 | x | 7.869 | 10.160 | x | 10.160 | U | 35.560 | x | 15.100 | 0.508 | 0.635 | 0.889 | 2.032 | 2.540 | 1.270 | B | 0 | 0 | ID - 301XBL |
| 28 | 8.001 | x | 8.001 | 10.030 | x | 10.030 | U | 35.560 | x | 15.100 | 0.508 | 0.635 | 1.016 | 2.159 | 2.540 | 1.270 | B | 0 | 0 | ID - 6942A-MO |
| 28 | 8.001 | x | 8.001 | 10.033 | x | 10.033 | U | 35.560 | x | 15.088 | 0.508 | 0.635 | 1.016 | 2.159 | 2.540 | 1.270 | B | 0 | 0 | ID - 111MAL |
| 28 | 10.160 | x | 9.398 | 12.451 | x | 11.430 | U | 35.560 | x | 15.100 | 0.508 | 0.635 | 1.016 | 2.159 | 2.540 | 1.270 | B | 0 | No.28 | ID - 442CB-MO |
| 28 | 10.414 | x | 9.906 | 12.446 | x | 9.906 | U | 35.560 | x | 15.088 | 0.508 | 0.635 | 1.016 | 2.159 | 2.540 | 1.270 | B | 0 | PAD A,D | ID - 6716AAL |
| 28 | 11.176 | x | 5.588 | 14.224 | x | 5.842 | U | 35.560 | x | 7.493 | 0.457 | 0.762 | 0.940 | 2.159 | 2.540 | 1.270 | B | 0 | - | ID - 6787-MO |
| 28 | 13.970 | x | 11.176 | 16.002 | x | 11.176 | U | 35.560 | x | 15.088 | 1.016 | 1.016 | 1.016 | 3.048 | 2.540 | 1.270 | B | 0 | 0 | ID - 6881AAL |
| 28 | 14.219 | x | 7.079 | 15.489 | x | 8.260 | U | 35.560 | x | 10.030 | 0.508 | 0.508 | 1.016 | 2.032 | 2.540 | 1.270 | B | 0 | GND PAD | ID - 6543AA |
| 28 | 15.240 | x | 5.715 | 18.288 | x | 5.715 | U | 35.560 | x | 7.493 | 0.381 | 1.016 | 1.143 | 2.540 | 2.540 | 1.270 | B | 0 | - | ID - 6777-MO |
| 28 | 29.459 | x | 2.789 | 29.850 | x | 4.572 | U | 36.830 | x | 15.100 | 0.508 | 0.508 | 1.016 | 2.032 | 2.540 | 1.270 | B | - | No.28 | ID - 903C-MO |
| 32 | 6.599 | x | 4.318 | 8.509 | x | 5.659 | U | 40.640 | x | 7.501 | 0.381 | 0.635 | 1.524 | 2.540 | 2.540 | 1.270 | B | 0 | 0 | ID - 6395A |
| 32 | 7.112 | x | 6.096 | 18.288 | x | 8.382 | U | 40.640 | x | 10.033 | 0.508 | 0.635 | 1.016 | 2.159 | 2.540 | 1.270 | B | No.16 | No.16 | ID - 6912-MO |
| 32 | 7.620 | x | 7.620 | 10.160 | x | 10.160 | U | 40.640 | x | 15.088 | 0.635 | 0.635 | 1.016 | 2.286 | 2.540 | 1.270 | B | 0 | - | ID - 6823-MO |
| 32 | 7.874 | x | 6.096 | 10.160 | x | 10.160 | U | 40.640 | x | 15.113 | 0.635 | 0.508 | 1.016 | 2.159 | 2.540 | 1.270 | B | 0 | PAD D/A | ID - 6799-MO |



COMMUNICATION MEDIA COMPONENTS GROUP

NGK SPARK PLUG CO.,LTD.
2808,IWASAKI,KOMAKI,AICHI,485,JAPAN

Inquiries about
the product

UNIT: mm

| LEAD COUNT | CAVITY | | | | | | OVERALL | | | LAYER THICKNESS | | | | LEAD | | NTK MATERIAL CODE B:Black W:White | CONNECTION (0:NON-Connect) | | DRAWING NO. | |
|---------------|----------|---|--------|----------|---|--------|---------|--------|---|------------------|-------|-------|-------|-------|-------|---|-------------------------------|--------------|-------------|---------------|
| | DIE CAV. | | | TOP CAV. | | | | | | UP(U) DOWN(D) | 1st | 2nd | 3rd | TOTAL | PITCH | | STAND OFF HEIGHT | SEAL RING | | |
| | A | X | B | C | X | D | E | X | F | | | | | | | | | | | |
| 32 | 9.652 | x | 6.096 | 18.288 | x | 8.382 | U | 40.640 | x | 10.008 | 0.508 | 0.635 | 1.016 | 2.159 | 2.540 | 1.270 | B | 0 | 0 | ID - 6733A |
| 32 | 10.008 | x | 7.595 | 15.189 | x | 11.709 | U | 40.640 | x | 15.088 | 0.381 | 0.635 | 1.016 | 2.032 | 2.540 | 1.270 | B | 0 | 0 | ID - 6901-MO |
| 32 | 10.008 | x | 8.992 | 15.189 | x | 11.709 | U | 40.640 | x | 15.088 | 0.508 | 0.635 | 1.016 | 2.159 | 2.540 | 1.270 | B | 0 | 0 | ID - 6929-MO |
| 32 | 10.414 | x | 12.446 | 14.097 | x | 12.446 | U | 40.640 | x | 15.113 | 0.508 | 0.762 | 1.016 | 2.286 | 2.540 | 1.270 | B | 0 | No.16 | ID - 6857-MO |
| 32 | 13.589 | x | 10.922 | 15.113 | x | 12.446 | U | 40.640 | x | 15.088 | 0.508 | 0.508 | 1.016 | 2.032 | 2.540 | 1.270 | B | 0 | No.14 | ID - 6646B |
| 32 | 13.970 | x | 9.398 | 19.964 | x | 11.582 | U | 40.640 | x | 15.113 | 0.635 | 0.508 | 1.016 | 2.159 | 2.540 | 1.270 | B | 0 | 0 | ID - 6657-MO |
| 32 | 16.154 | x | 4.801 | 29.464 | x | 9.627 | U | 31.750 | x | 12.446 | 0.508 | 0.508 | 0.889 | 2.794 | 1.778 | 1.270 | B | - | No.26 | ID - 7086-MO |
| 32 | 19.634 | x | 8.992 | 19.634 | x | 10.516 | U | 40.640 | x | 15.113 | 0.508 | 0.508 | 1.524 | 2.540 | 2.540 | 1.270 | B | 0 | 0 | ID - 6708-MO |
| 40 | 6.350 | x | 6.350 | 9.398 | x | 9.398 | U | 50.800 | x | 15.088 | 0.508 | 0.635 | 1.016 | 2.159 | 2.540 | 1.270 | B | 0 | 0 | ID - 512ZAL |
| 40 | 6.350 | x | 6.350 | 10.160 | x | 10.160 | U | 50.800 | x | 15.088 | 0.508 | 0.635 | 1.016 | 2.159 | 2.540 | 1.270 | B | 0 | 0 | ID - 6712AAL |
| 40 | 7.620 | x | 9.652 | 11.938 | x | 11.938 | U | 50.800 | x | 15.088 | 0.381 | 0.889 | 0.889 | 2.159 | 2.540 | 1.270 | B | 0 | - | ID - 6785-MO |
| 40 | 7.874 | x | 7.874 | 10.160 | x | 10.160 | U | 50.800 | x | 15.088 | 0.508 | 0.635 | 1.016 | 2.159 | 2.540 | 1.270 | B | 0 | 0 | ID - 269RBL |
| 40 | 7.874 | x | 7.874 | 10.160 | x | 10.160 | U | 50.800 | x | 15.088 | 0.381 | 0.635 | 1.016 | 2.032 | 2.540 | 1.270 | B | No.1 | No.1 | ID - 6077NAL |
| 40 | 7.874 | x | 7.874 | 10.160 | x | 10.160 | U | 50.800 | x | 15.088 | 0.508 | 0.635 | 1.016 | 2.159 | 2.540 | 1.270 | B | 0 | 0 | ID - 6077RAL |
| 40 | 8.636 | x | 8.636 | 10.160 | x | 10.160 | U | 50.800 | x | 15.088 | 0.508 | 0.508 | 1.016 | 2.032 | 2.540 | 1.270 | B | 0 | 0 | ID - 637BAL |
| 40 | 10.160 | x | 10.160 | 11.938 | x | 11.938 | U | 50.800 | x | 15.088 | 0.635 | 0.635 | 1.016 | 2.286 | 2.540 | 1.270 | B | 0 | 0 | ID - 6807CAL |
| 40 | 10.160 | x | 10.160 | 11.938 | x | 11.938 | U | 50.800 | x | 15.088 | 0.508 | 0.635 | 1.016 | 2.159 | 2.540 | 1.270 | B | 0 | 0 | ID - 192YBL |
| 40 | 10.668 | x | 10.668 | 12.192 | x | 12.192 | U | 50.800 | x | 15.088 | 0.381 | 0.762 | 1.016 | 2.159 | 2.540 | 1.270 | B | 0 | 0 | ID - 6871-MO |
| 40 | 32.156 | x | 6.833 | 40.284 | x | 12.802 | U | 50.800 | x | 20.193 | 0.508 | 1.016 | 1.016 | 3.302 | 2.540 | 1.270 | B | - | No.33 | ID - 7091-MO |
| 48 | 5.080 | x | 5.080 | 8.641 | x | 8.641 | U | 60.960 | x | 15.100 | 0.508 | 0.635 | 1.016 | 2.159 | 2.540 | 1.270 | B | 0 | 0 | ID - 6505A-MO |
| 48 | 6.350 | x | 6.350 | 8.890 | x | 8.890 | U | 60.960 | x | 15.113 | 0.508 | 0.635 | 1.016 | 2.159 | 2.540 | 1.270 | B | 0 | 0 | ID - 6909-MO |
| 48 | 7.874 | x | 7.874 | 10.160 | x | 10.160 | U | 60.960 | x | 15.088 | 0.508 | 0.635 | 1.016 | 2.159 | 2.540 | 1.270 | B | 0 | 0 | ID - 343QAL |
| 48 | 8.890 | x | 8.890 | 11.430 | x | 11.430 | U | 60.960 | x | 15.088 | 0.508 | 0.635 | 1.016 | 2.159 | 2.540 | 1.270 | B | 0 | 0 | ID - 6109BAL |
| 52 | 13.995 | x | 8.992 | 16.002 | x | 10.998 | U | 46.736 | x | 14.986 | 0.508 | 0.508 | 1.016 | 2.032 | 1.778 | 1.270 | B | 0 | 0 | ID - 6550A |



COMMUNICATION MEDIA COMPONENTS GROUP

NGK SPARK PLUG CO.,LTD.
2808,IWASAKI,KOMAKI,AICHI,485,JAPAN

Inquiries about
the product

UNIT: mm

| LEAD COUNT | CAVITY | | | | | | OVERALL | LAYER THICKNESS | | | | LEAD | | NTK MATERIAL CODE B:Black W:White | CONNECTION (0:NON-Connect) | | DRAWING NO. | | | |
|---------------|----------|---|--------|----------|---|--------|---------|------------------|-----|--------|-------|-------|-------|---|-------------------------------|--------------|-------------|---------------|---|--------------|
| | DIE CAV. | | | TOP CAV. | | | | UP(U) DOWN(D) | 1st | 2nd | 3rd | TOTAL | PITCH | | STAND OFF HEIGHT | SEAL RING | | DIE ATTACH | | |
| | A | X | B | C | X | D | | | | | | | | | | | | | E | X |
| 64 | 7.869 | x | 7.869 | 10.160 | x | 10.160 | U | 81.280 | x | 22.708 | 0.508 | 0.635 | 1.016 | 2.159 | 2.540 | 1.270 | B | 0 | 0 | ID - 372AB |
| 64 | 10.599 | x | 10.599 | 13.340 | x | 13.340 | U | 56.901 | x | 18.750 | 0.508 | 0.635 | 1.151 | 2.294 | 1.778 | 1.270 | B | 0 | 0 | ID - 6515Z |
| 64 | 12.192 | x | 12.192 | 13.970 | x | 13.970 | U | 81.280 | x | 22.710 | 0.508 | 0.635 | 1.016 | 2.159 | 2.540 | 1.270 | B | 0 | 0 | ID - 297J |
| 64 | 21.996 | x | 10.490 | 23.597 | x | 12.090 | U | 57.404 | x | 18.923 | 0.559 | 0.762 | 1.092 | 2.413 | 1.778 | 1.270 | B | - | - | ID - 6894-M0 |
| 64 | 30.000 | x | 10.000 | 33.000 | x | 13.000 | U | 81.280 | x | 22.710 | 0.508 | 0.635 | 1.016 | 2.159 | 2.540 | 1.270 | B | - | 0 | ID - 6780A |